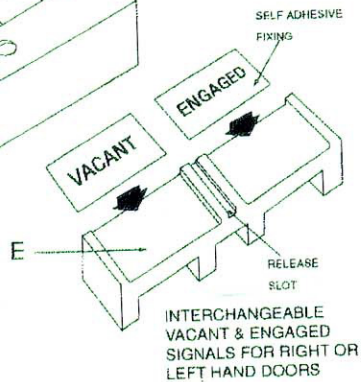
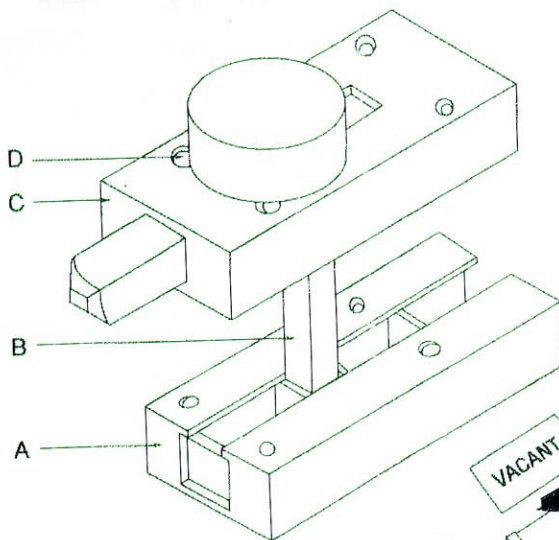
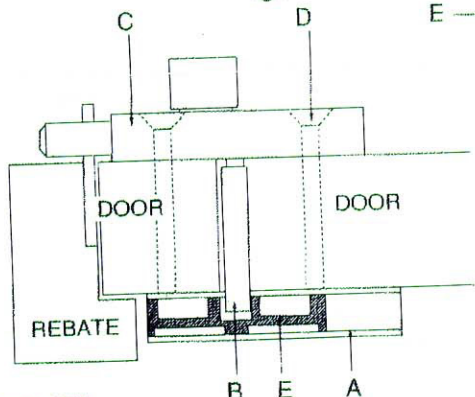


PLACE INDICATOR (A) ON OUTSIDE OF DOOR JUST CLEAR OF REBATE AND USING THE TEMPLATE DRILL 4 HOLES FOR BOLTS (D) SLOT SHOULD BE CUT IN DOOR SO THAT OPERATING ROD (B) HAS CLEARANCE TO MOVE FREELY. CUT OPERATING ROD TO CORRECT LENGTH SO THAT BOLT (E) FITS FREELY OVER. BOLT (C) TO (A) WITH 4 BOLTS (D) PROVIDED.



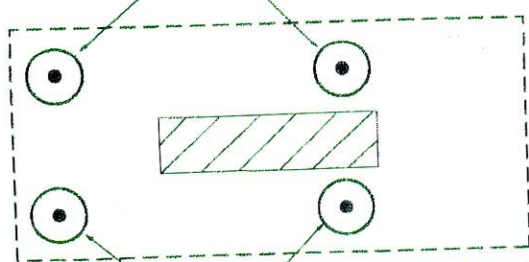
INTERCHANGEABLE VACANT & ENGAGED SIGNALS FOR RIGHT OR LEFT HAND DOORS



TEMPLATE

◀ EDGE OF LOCK STILE OF DOOR

DRILL 1/4" HOLES



CUT SLOT

OUTLINE OF INDICATOR BODY A

DRILL 1/4" HOLES